



# RH2

Recess Power and Data Track

## Installation Guide

### CAUTION

- Keep away from fire.
- Keep away from water.
- Not for outdoor use.
- To be installed by a qualified electrician/installer.

### PLEASE READ BEFORE INSTALLING

**INSTALLING PARTY**  
All Power Tracks must be installed by a qualified electrician.

**USE OF EARTH LEAKAGE CIRCUIT BREAKER (ELCB)**  
It is a mandatory requirement that all installations of electrical power source must be connected to an ELCB to provide protection against overload, short circuits and earth leakage faults. Failure to comply can be hazardous.

**INSTALLATION LOCATION**  
All Power Tracks must be installed at a location that complies with safety rules and regulations of respective country.

**INSTALLATION SURFACE**  
All Power Tracks must be installed on a flat surface.

**RECOMMENDED CUTOUT DIMENSION**  
Please refer to 'Recommended Cutout Dimension' for the recommended dimension of the recess channel.

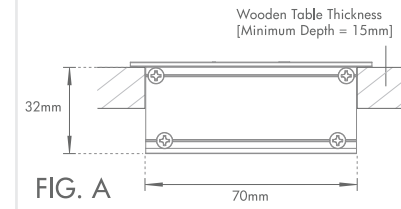


FIG. A

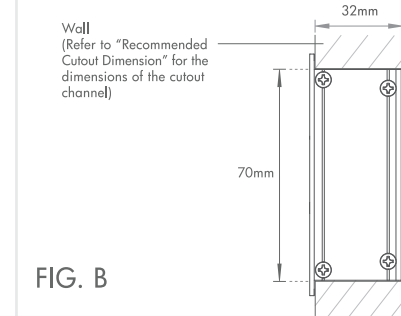
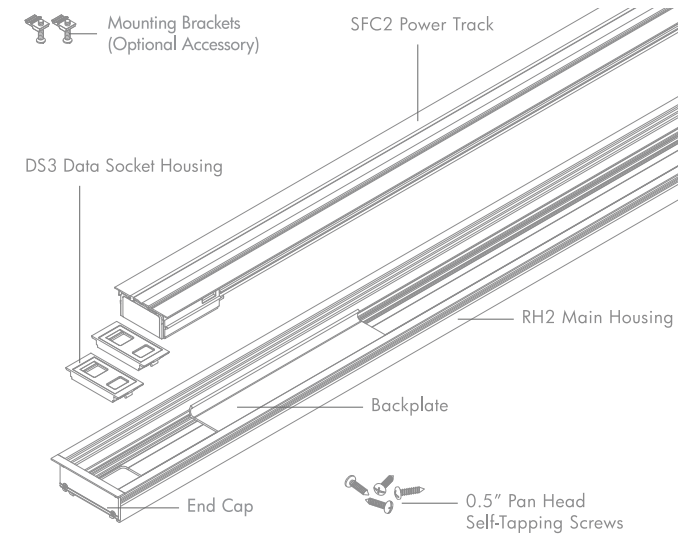


FIG. B

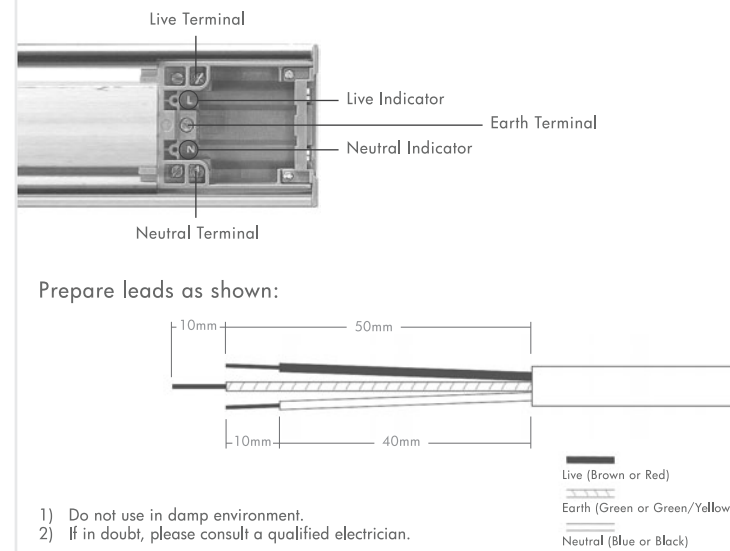
### Technical Specification

Rated Voltage	: 250V a.c. Single-phase
Rated Current	: 40Amp maximum
Frequency	: 50Hz / 60Hz
Conditional Short Circuit Rating	: (MCB: In:40A Ue:400V), Type B (BS EN 60898-1) Prospective current: 6KA (BS EN 60439-2)
Rated Impulse Withstand Voltage	: 4000V a.c.
Terminal Connecting Capacity (Live, Neutral and Earth)	: 4mm <sup>2</sup> to 10mm <sup>2</sup>
Ambient Operating Temperature	: -5°C to +40°C (not to exceed an average of more than 35°C in any 24 hours period)
Maximum Installation Altitude	: 2000 metres
Degree of Protection	: IP4X
Degree of Pollution	: 2 (Non-conductive pollution with temporary conductivity caused by condensation)
Track and Housing Material	: Aluminium
Insulation Material	: Polycarbonate

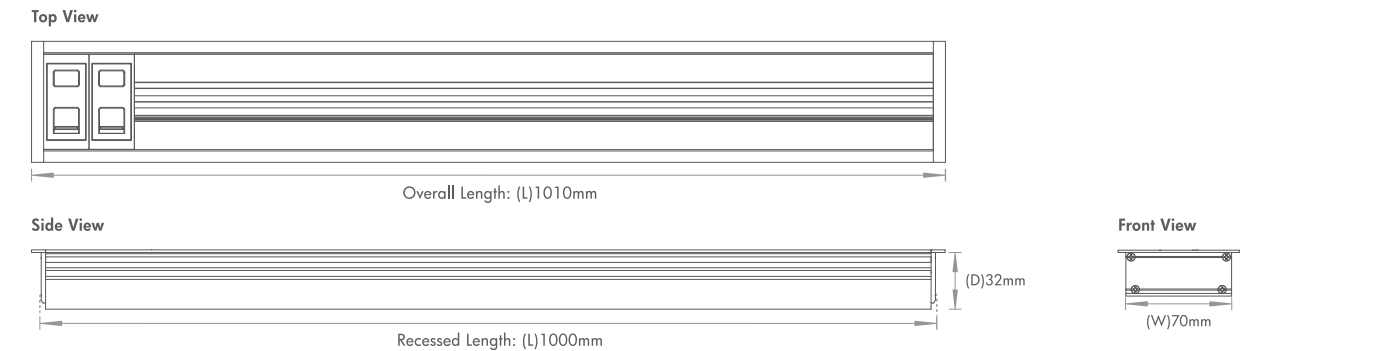
### Product Overview



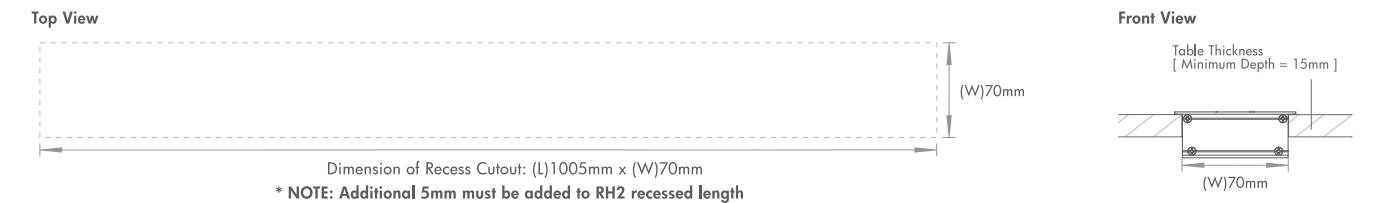
### Wiring Instructions



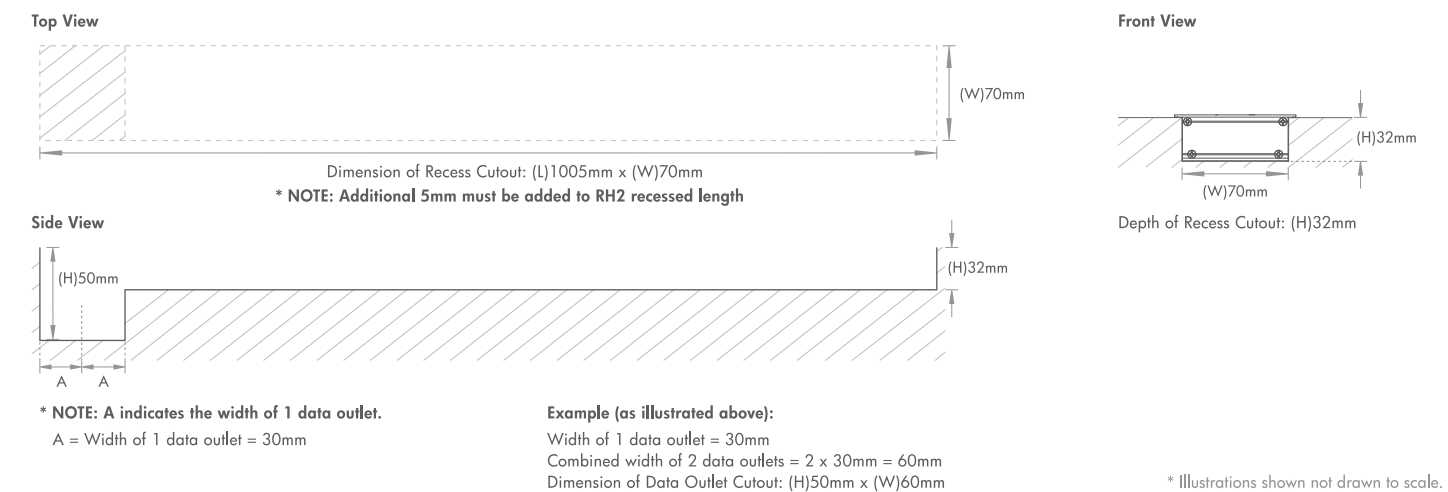
### Recommended Cutout Dimension (Based on 1000mm recessed length)



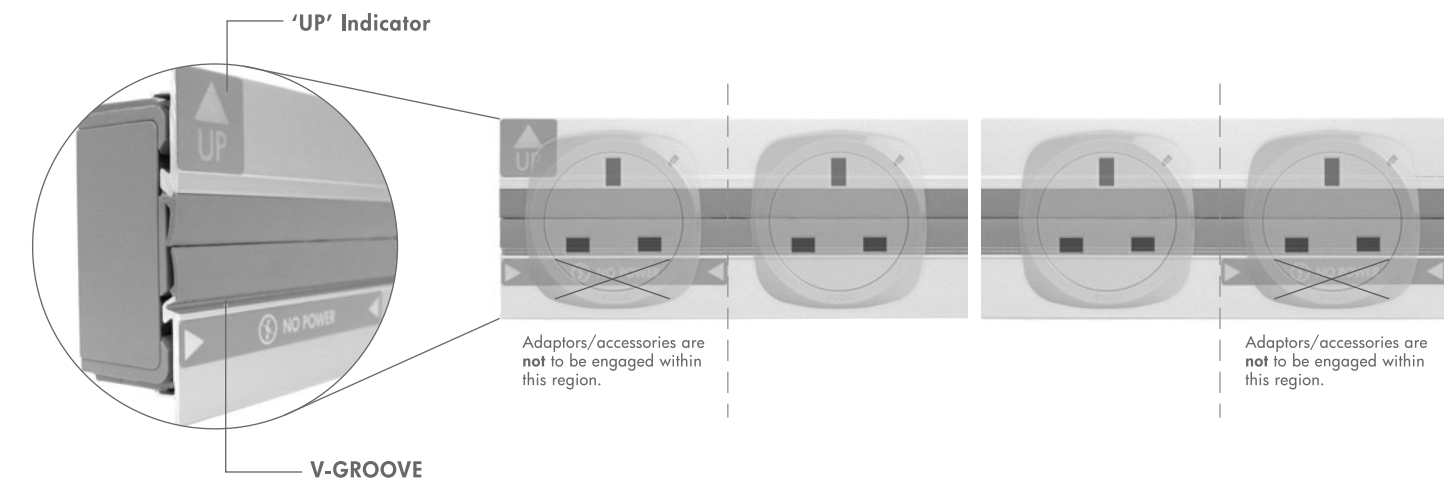
#### Cutout Dimension for Table Mount (For installation instructions, proceed to "Installation - Table Mount")



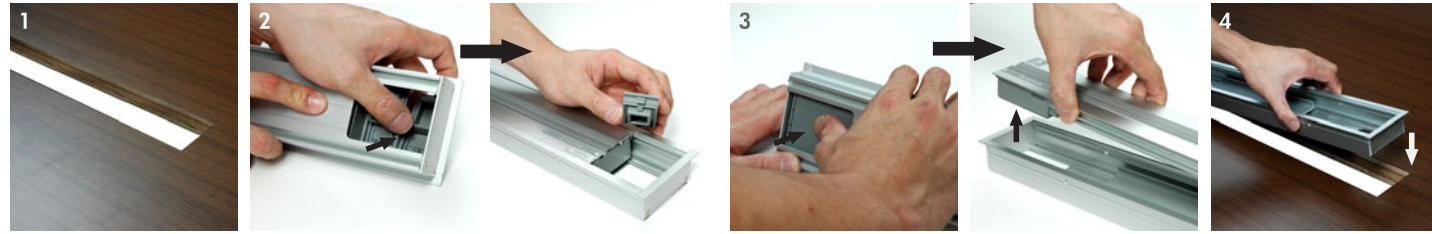
#### Cutout Dimension for Wall Mount (For installation instructions, proceed to "Installation - Wall Mount")



### Product Orientation



## Installation - Table Mount

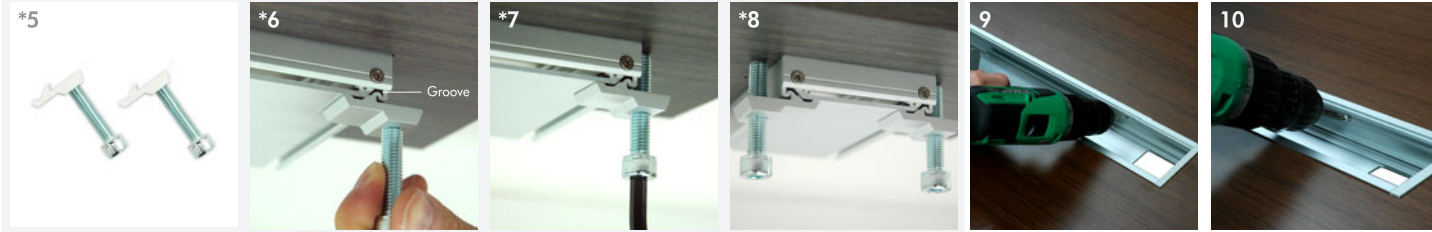


With the dimensions provided in "Recommended Cutout Dimension", prepare recess channel on the table.

To remove the data housing, push it outwards from the rear as shown.

To remove the power track, push it outwards from the rear as shown.

Align and slot the RH2 housing into the cutout hole on the table. Proceed to the next step for mounting brackets installation (optional) or step 9 for mounting with screws.



Prepare the mounting brackets as shown. Recommended table thickness of up to 33mm.

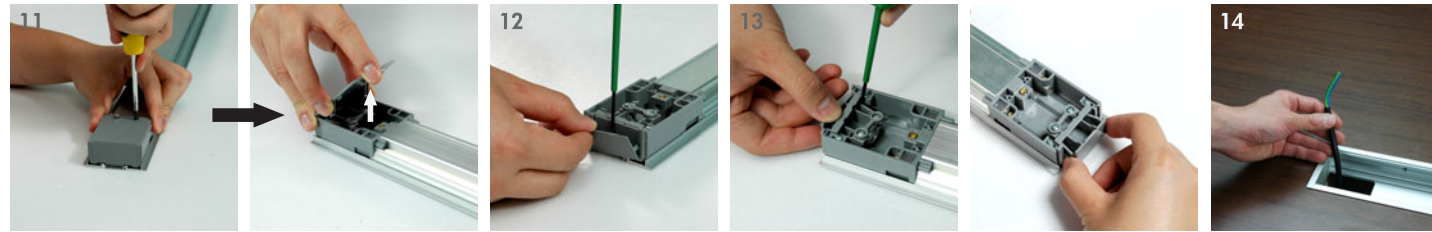
Align and hook the mounting bracket onto the groove on the bottom of the housing. Recommended number of mounting brackets is 4 pieces for every 1 metre.

Using a size 5 allen key, secure the mounting brackets to the table.

Housing is now secure. Proceed to step 11 to continue RH2 installation.

Drill holes onto the table through the pre-drilled holes on the side of the housing (Drill bit Ø 2mm).

Tighten the self-tapping screws into the drilled holes to secure the housing.



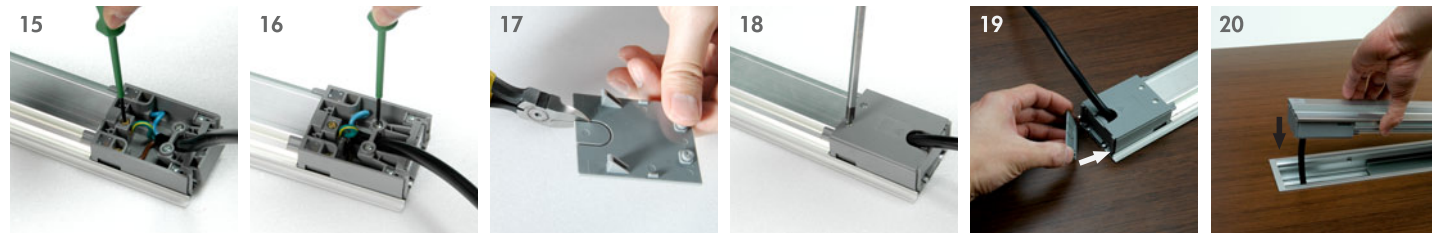
Untighten the screws on the safety cover of the SFC2 power track. Lift and remove the safety cover.

Remove the dust cover from the end terminal.

Using a screwdriver, detach the strain relief. Remove it halfway as shown in the subsequent example.

Example shows strain relief removed halfway. Before proceeding further, ensure that power from the mains is switched off.

Route the power cable through one end of the housing. Prepare to terminate the cable to the SFC2 power track.



Slot the power cable through the strain relief and terminate the wires to their respective terminals.

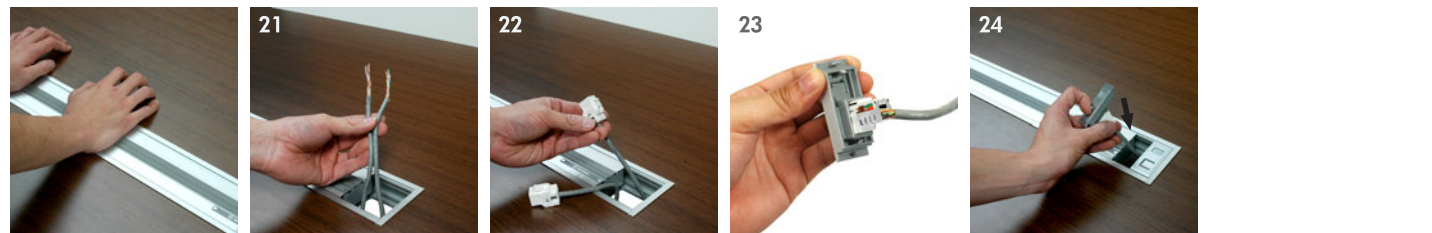
Snap on the strain relief. Tighten the screws on the core grip to secure the power cable.

Cut and remove the cable entry blank from the safety cover.

Attach the safety cover and tighten the screws to secure.

Attach the dust cover to the end terminal.

Snap the SFC2 power track onto the housing.



(Step 20 continued)

Route the data cables through the opposite end of the housing.

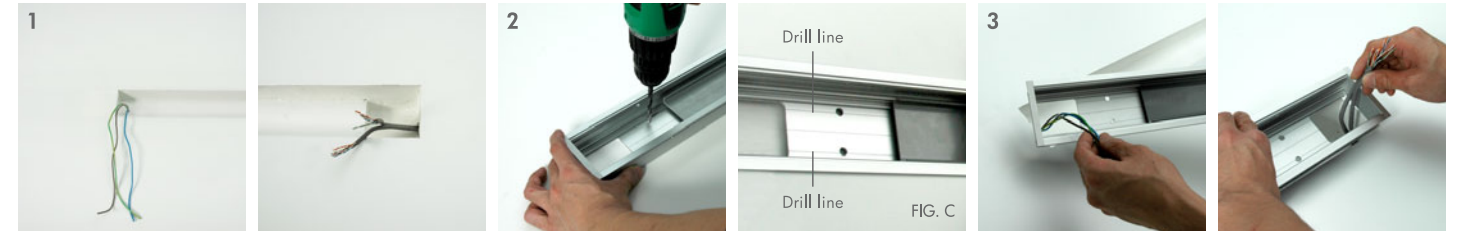
Terminate the data cable to the data jack.

Snap the data jack onto the data housing.

Snap the data housing onto the RH2 housing. RH2 is ready for use.

\* Securing Housing With Mounting Brackets (Optional Accessory)

## Installation - Wall Mount



With the dimensions provided in "Recommended Cutout Dimension", prepare recess channel on the wall. Before proceeding further, ensure that power from the mains is switched off.

Drill mounting holes along drill lines on the inner bottom surface of the housing (Drill bit Ø 2mm). It is recommended that you drill along the drill lines indicated in Fig. C.

Route both the power and data cables through both ends of the housing.

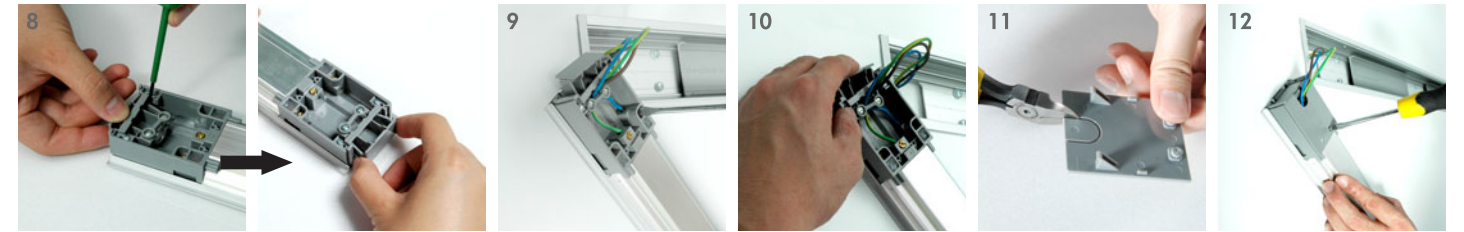


Align and slot the RH2 housing into the recess channel.

Drill holes onto the recessed surface through the mounting brackets. Secure the housing to the surface with the self-tapping screws.

Untighten the screws on the safety cover of the SFC2 power track. Lift and remove the safety cover.

Remove the dust cover from the end terminal.



Using a screwdriver, detach the strain relief and remove it halfway as shown.

Slot the power cable through the strain relief and terminate the wires to their respective terminals.

Snap on the strain relief.

Cut and remove the cable entry blank from the safety cover.

Attach the safety cover and tighten the screws to secure.



Attach the dust cover to the end terminal.

Snap the SFC2 power track onto the housing.

Terminate the data cable to the data jack.

Snap the data jack onto the data housing.

Snap the data housing onto the RH2 housing. RH2 is ready for use.

## 3 Years Limited Warranty

1. Eubiq Pte Ltd ("Eubiq") warrants to the end-user of the product ("the Customer") that the product will be free from defects in materials and workmanship under normal use for a period of three (3) years from the date of retail purchase by the original end-user purchaser ("Warranty Period").
2. The Customer should access and refer to Eubiq's website at [www.eubiq.com](http://www.eubiq.com) for a list of Eubiq authorised dealers to contact for warranty service.
3. All requests for warranty service must be made within the Warranty Period, and be accompanied by the original dated proof of purchase.